

Cat. No. 60-4061

# OWNER'S MANUAL

Please read before using this equipment

---

**RADIO-CONTROLLED TALKING ROBIE™**

---

**Radio Shack®**



---

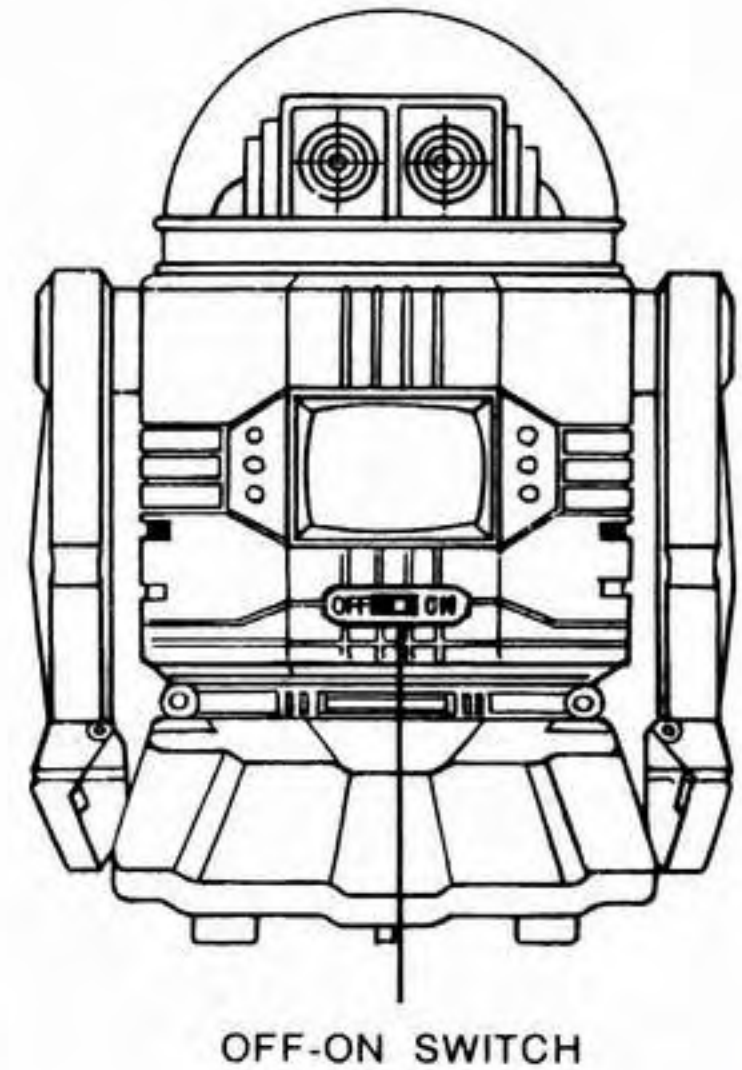
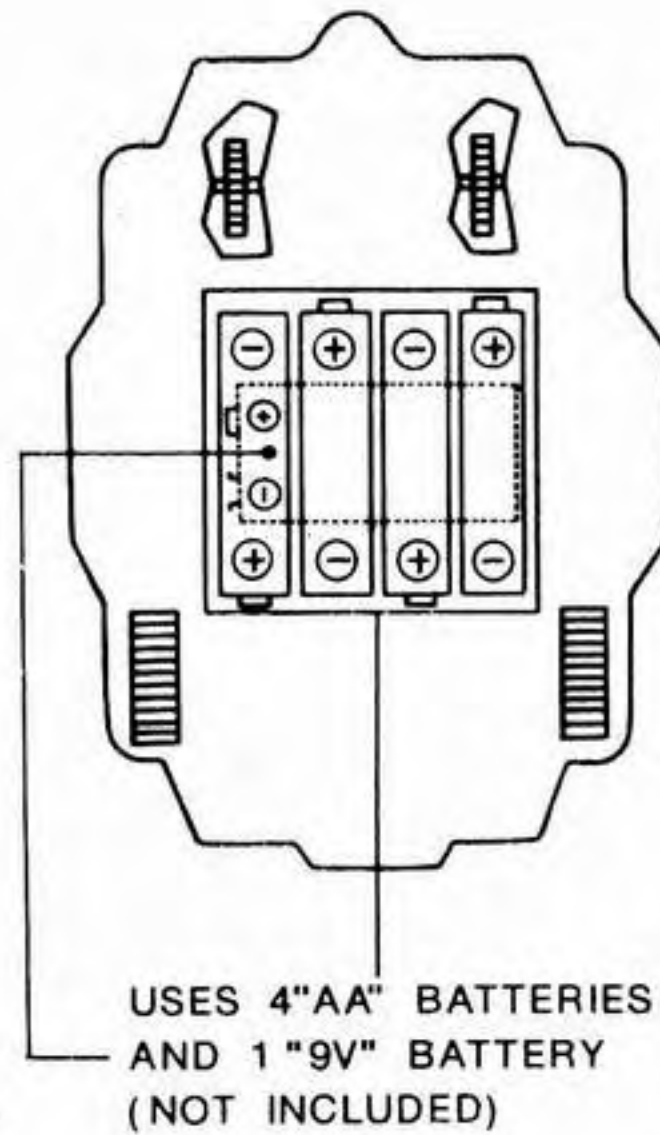
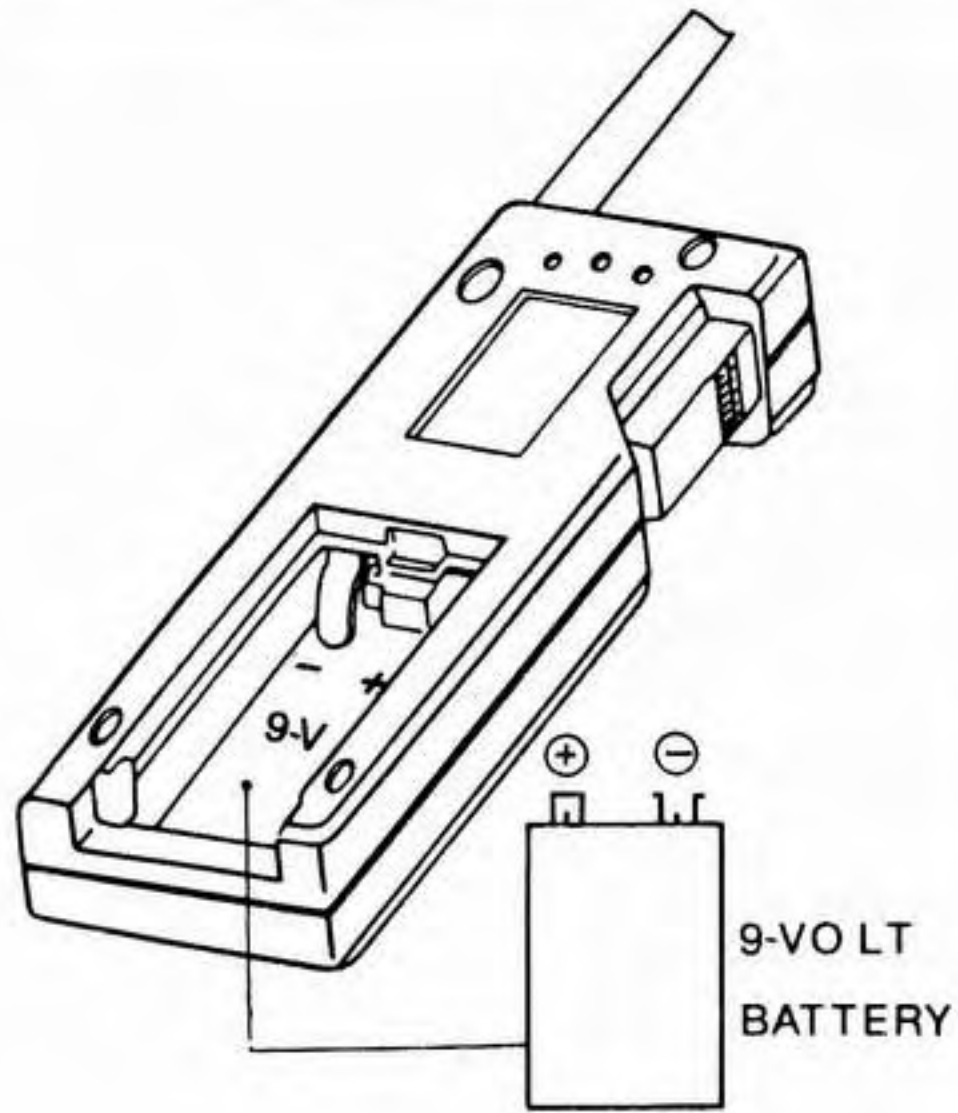
# INTRODUCTION

---

You are now in total control of your very own robot. And, what is more, you can make it say anything you want!

Your talking Robie responds to your radio control signals and goes where you wish. Then, by pressing the voice transmit button on your hand-held control unit, while you speak into the built-in mic, Robie will broadcast your 'robot voice' through its speaker, Robie's eyes light for special effects. And its arms can be positioned so its grasping hands hold objects, too.

# BATTERY INSTALLATION



Copyright 1989, Tandy Corporation

---

# BATTERY INSTALLATION

---

Talking Robie requires 4 AA batteries and 1 9volt rectangular battery while the Transmitter uses 1 9volt rectangular battery. For longest life we recommend using Radio Shack Cat. No. 23-552 for the AA cells and 23-553 for the 9 volt battery.

## Talking Robie

1. Be sure the ON/OFF switch is in the OFF position.
2. Push the ridged part of the battery chamber cover on the bottom, in the direction of the arrow. Lift the cover.
3. Install the 9volt battery observing proper(+) and (-) polarity.
4. Insert 4 batteries in the same way.
5. Replace the cover.

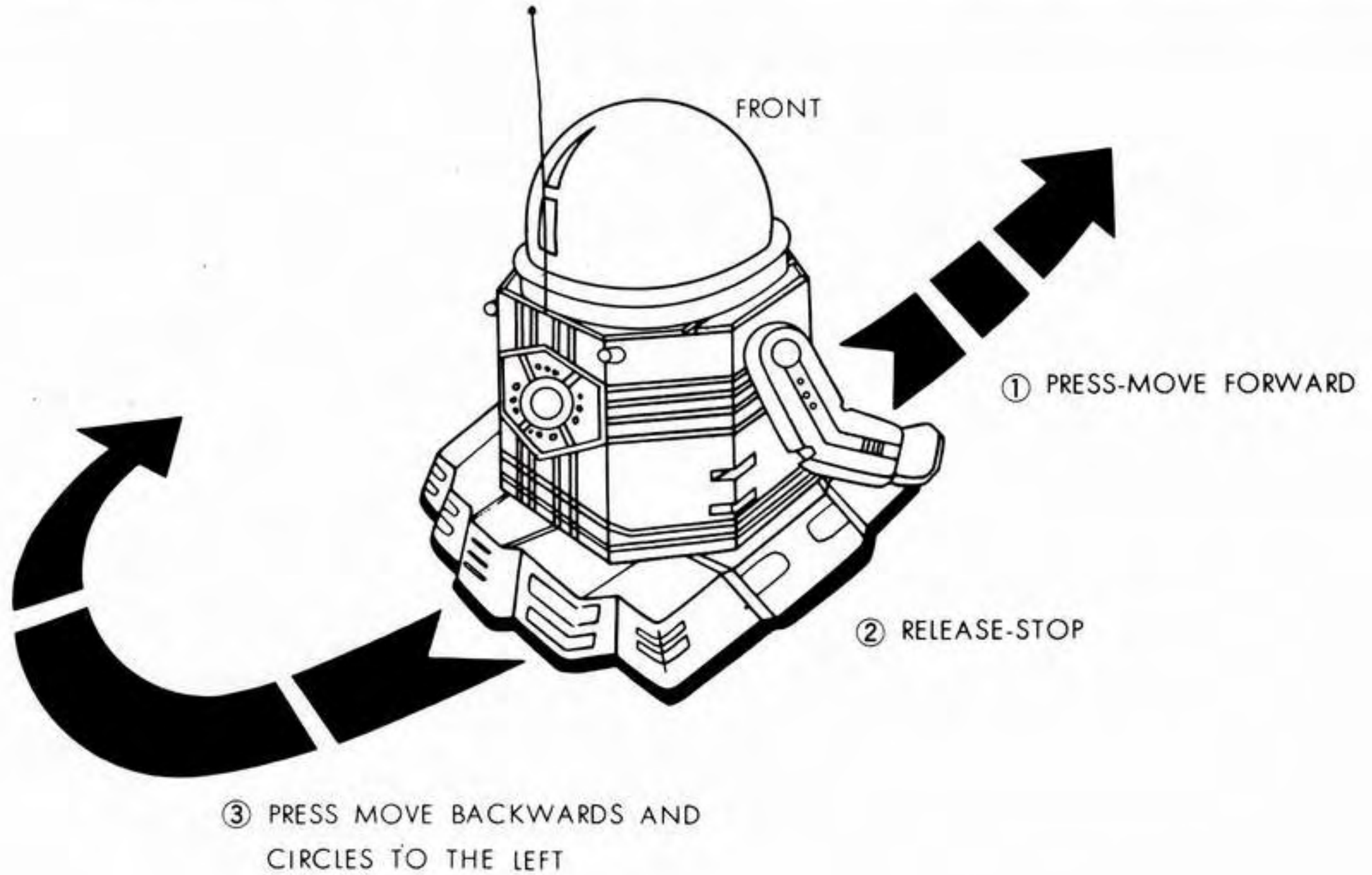
## Transmitter

1. Open the battery cover on the back by pushing the ridged area in the direction of the arrow.
2. Insert 1 9volt battery properly oriented for (+) and (-)
3. Replace the cover and snap it closed.

---

# OPERATION

---



---

## To Move Robie

1. Move the ON / OFF switch on Talking Robie to ON.
2. Place the robot on a clean, dry floor. The smoother the surface, the better Robie will operate.
3. Make sure the antenna on the robot and the transmitter antenna are upright.
4. Robie, in addition to his eyes lighting each time you press the movement button, responds to each press of the FORWARD/ REVERSE button in the following manner:

Press ONCE.....he moves forward

Release .....he stops

Press again .....he reverses direction, moving  
in a clockwise circle to the left

For example, to have Robie go forward, stop and go in the opposite direction, press the FORWARD/ REVERSE button once then release. Then press it again until Robie has backed up one half circle and now faces the other direction. Press the button again and he moves forward, once more.

---

## **To Make Robie Speak**

Press the PUSH-TO-TALK button on the side of the transmitter and speak into the mic from 1-2 inches away. Your voice will be broadcast to the receiver/speaker in your Robie.

## **Using Robie's Arms and Hands**

Both arms can be rotated manually up and down. Position them for the best effect.

Both Robie's hands can be opened and closed on objects of the right size.

## **TIPS FOR BEST OPERATION**

1. Avoid obstructions between your transmitter and Robie.
2. To maximize battery life, try to allow your Talking Robie to take a rest after about 20 minutes of use.
3. Operation on sand, dirt or thick carpets is not recommended. See the Maintenance Section for additional guidance.



---

# STANDARD MAINTENANCE

---

Your Talking Robie represents a fine example of electronic engineering and construction. As such it should be treated accordingly. We offer the following suggestions so you will enjoy this product for many years to come. If at anytime you suspect that your unit is not performing as it should, stop by your local Radio Shack store. Our personnel are there to assist you and arrange for service, if needed.



Keep it dry. If water should get on it, wipe it off immediately. Water contains minerals that can corrode electronic circuits.



Do not store in hot areas. High temperatures can shorten the life of electronic devices, damage batteries, and can even distort or melt certain plastics.



Do not drop your product. This will likely result in failure to operate. Circuit boards can crack and cases may not survive the impact. Handling your product roughly will shorten its useful life.



Do not use harsh chemicals, cleaning solvents or strong detergents to keep your unit looking new. You need only wipe it with a dampened cloth from time to time.



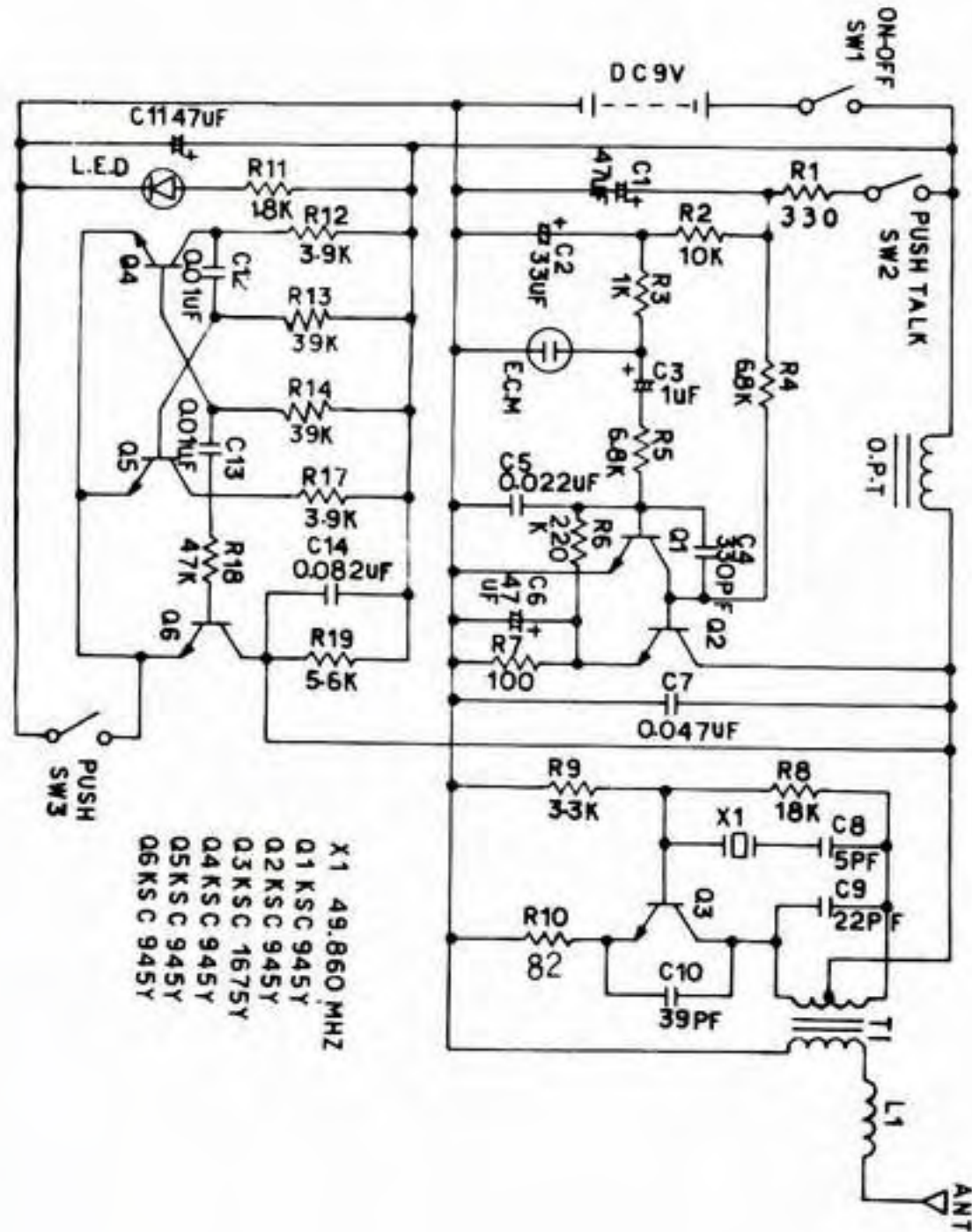
Do not use or store in areas of high levels of dirt or dust. The electronics may be contaminated. Any moving parts will wear prematurely.



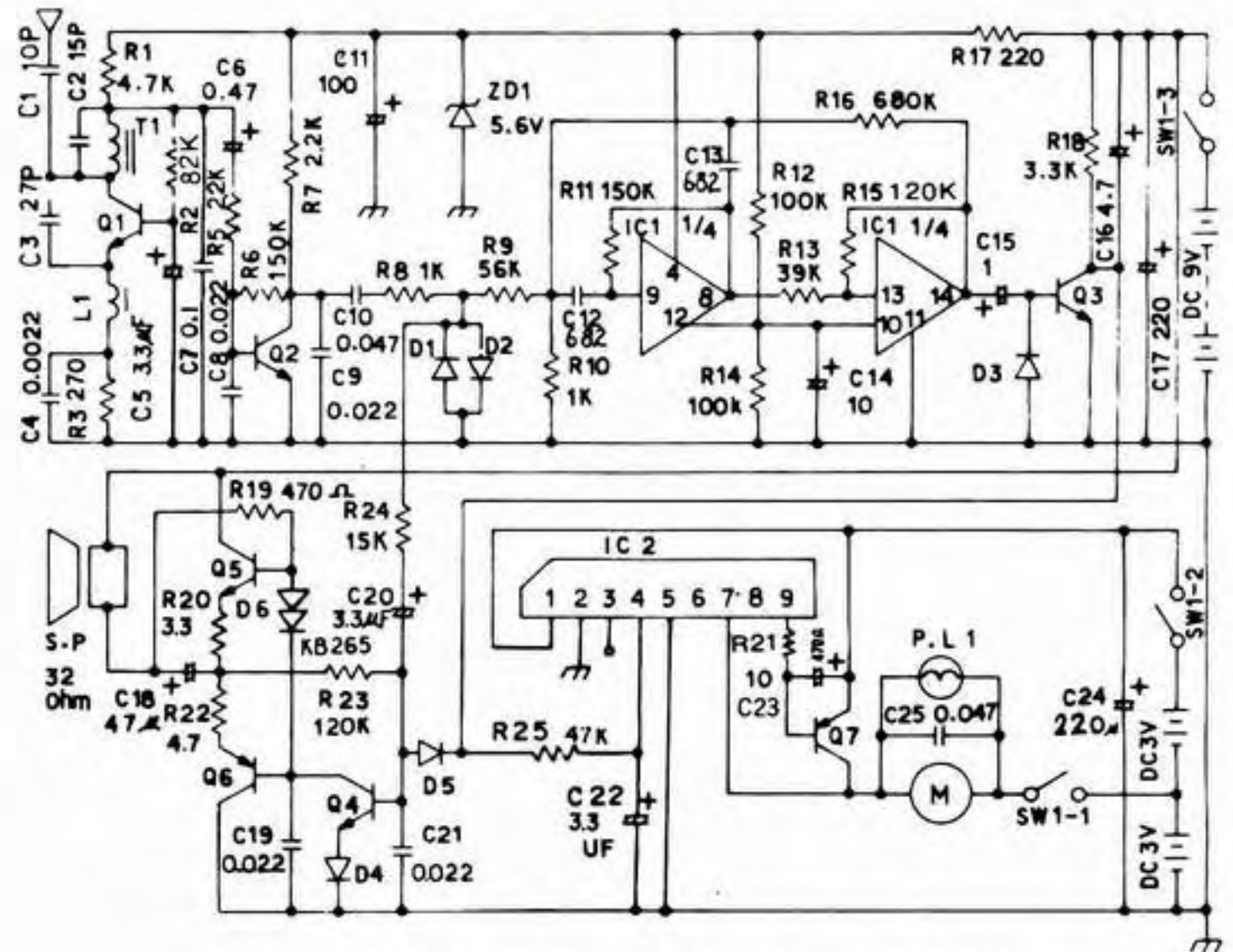
Always make sure any batteries used are fresh and are of the correct type. Never use general purpose batteries if alkalines are called for. Old or almost dead batteries are also dangerous. A worn out battery can leak chemicals which will destroy electronic circuits.

# SCHEMATIC DIAGRAM

## TRANSMITTER



## RECEIVER



Schematic subject to change without notice. For most accurate Schematic (and parts) contact Radio Shack, National Parts Dept., Fort Worth TX 76101

---

---

### **RADIO SHACK LIMITED WARRANTY**

This product is warranted against defects for 90 days from date of purchase from Radio Shack company-owned stores and authorized Radio Shack franchisees and dealers. Within this period, we will repair it without charge for parts and labor. Simply **bring your Radio Shack sales slip** as proof of purchase date to any Radio Shack store. Warranty does not cover transportation costs. Nor does it cover a product subjected to misuse or accidental damage.

EXCEPT AS PROVIDED HEREIN, RADIO SHACK MAKES NO WARRANTIES, EXPRESS OR IMPLIED, INCLUDING WARRANTIES OF MERCHANTABILITY AND FITNESS FOR A PARTICULAR PURPOSE. Some states do not permit limitation or exclusion of implied warranties; therefore, the aforesaid limitation(s) or exclusion(s) may not apply to the purchaser.

This warranty gives you specific legal rights and you may also have other rights which vary from state to state.

*We Service What We Sell*

---

---

**RADIO SHACK**  
**A Division of Tandy Corporation**  
**Fort Worth, Texas 76102**