

[54] TOY COIN BANK ROBOT

[75] Inventor: Hiroshi Horiuchi, Tokyo, Japan

[73] Assignee: Tomy Kogyo Co., Inc., Tokyo, Japan

[**] Term: 14 Years

[21] Appl. No.: 46,300

[22] Filed: May 5, 1987

[30] Foreign Application Priority Data

Nov. 8, 1986 [JP] Japan 61-44217

[52] U.S. Cl. D99/38; D21/166

[58] Field of Search D21/59, 166, 150; D99/38, 37; D10/8; 446/8, 10, 11, 12

[56] References Cited

U.S. PATENT DOCUMENTS

- D. 217,489 5/1970 Perhacs D21/166
- D. 240,752 7/1976 Miyazaki D99/38
- D. 250,052 10/1978 Salt et al. D21/166
- D. 251,628 4/1979 McQuarrie et al. D21/166

- D. 253,711 12/1979 Christansen et al. D21/166
- D. 260,318 8/1981 Miyazaki D99/38
- 4,050,183 9/1977 Watanabe 446/11

OTHER PUBLICATIONS

Hong Kong Toys '87, p. 56, Robot Toy at center of page with "M" mark.

Primary Examiner—Charles A. Rademaker
Attorney, Agent, or Firm—Staas & Halsey

[57] CLAIM

The ornamental design for a toy coin bank robot, as shown.

DESCRIPTION

FIG. 1 is a front elevational view of a toy coin bank robot showing my new design;
 FIG. 2 is a rear elevational view thereof;
 FIG. 3 is a right side elevational view thereof;
 FIG. 4 is a left side elevational view thereof;
 FIG. 5 is a top plan view thereof; and
 FIG. 6 is a bottom plan view thereof.

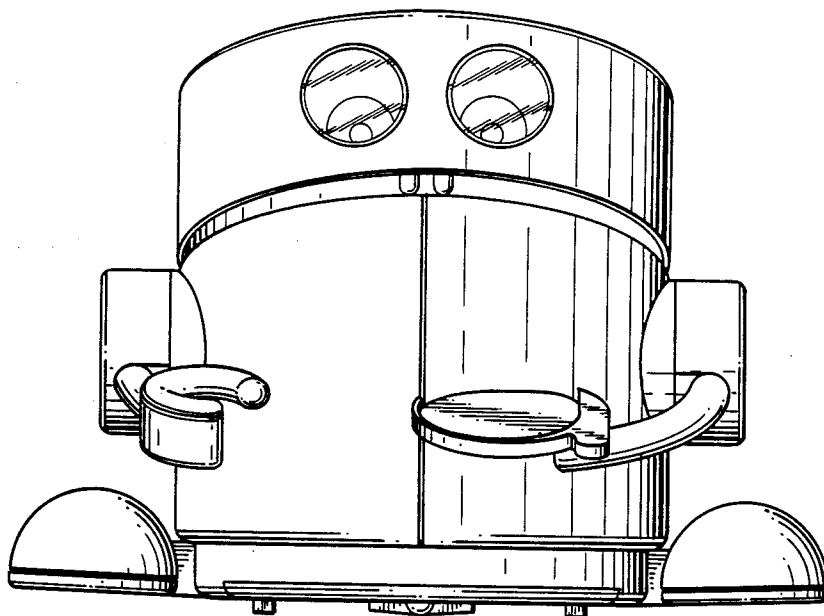


FIG. 1

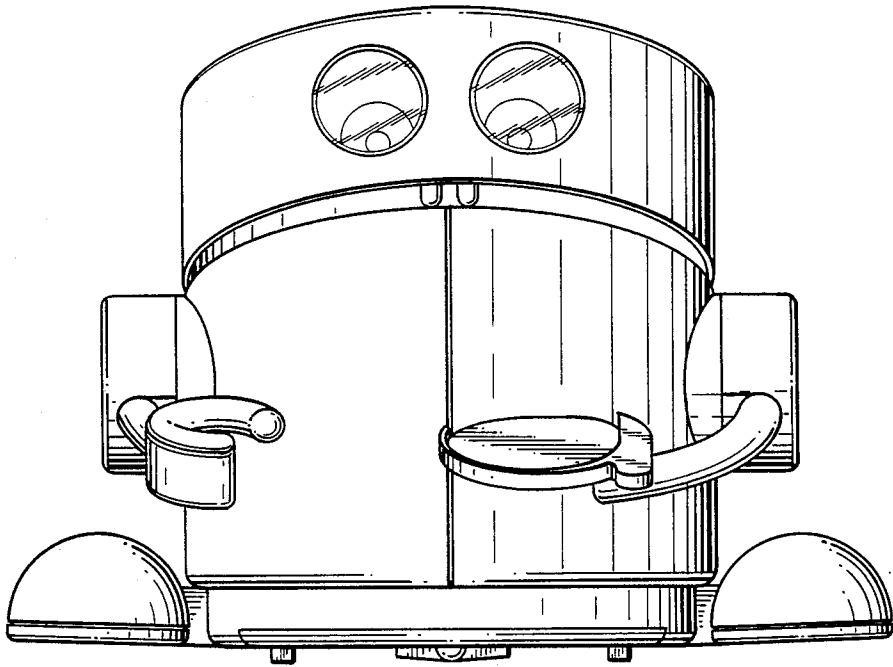


FIG. 2

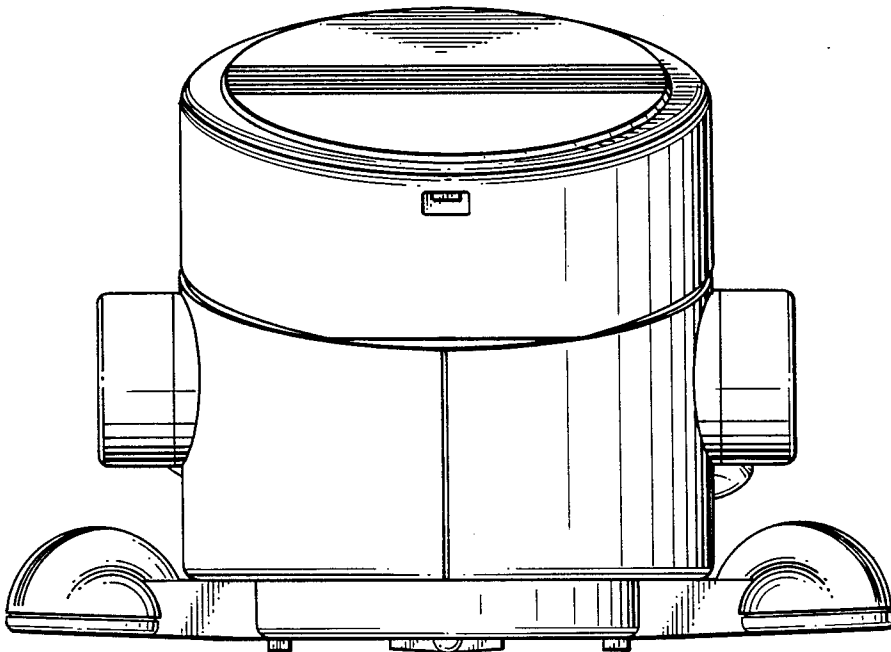


FIG. 3

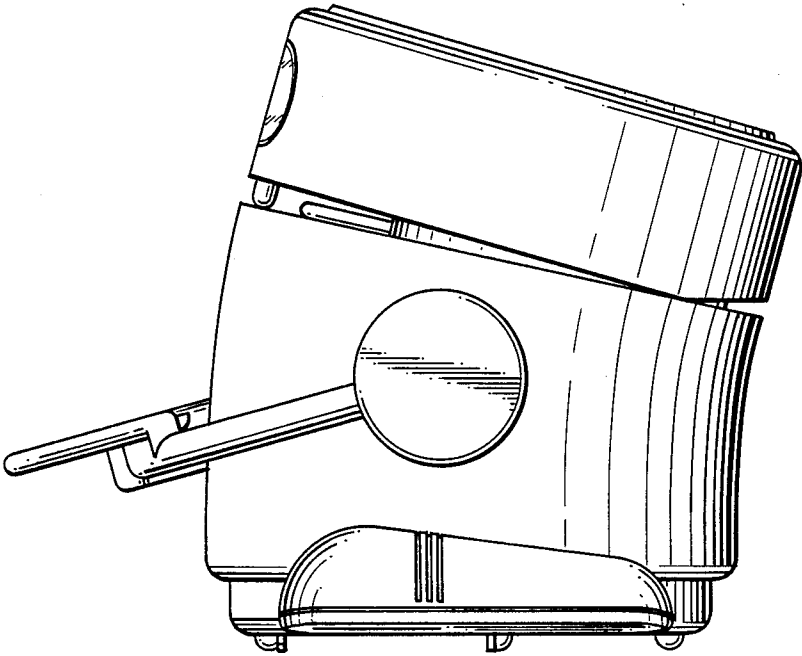


FIG. 4

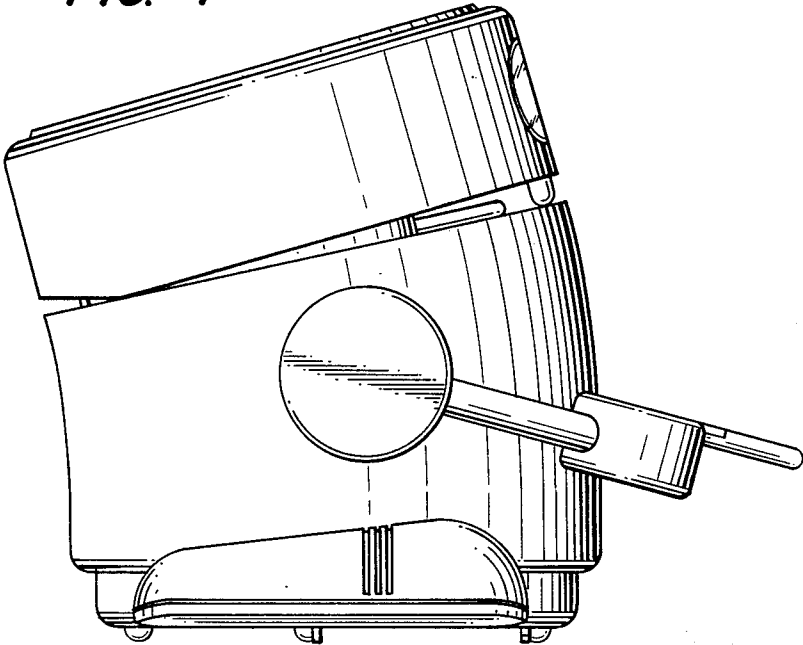


FIG. 5

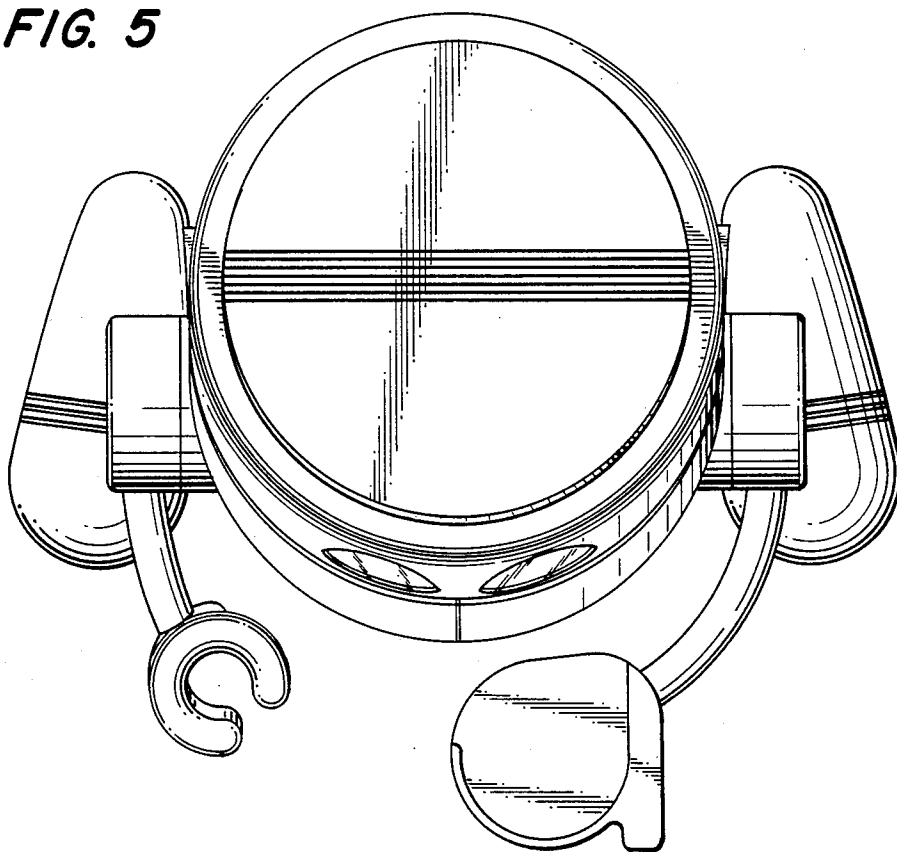


FIG. 6

